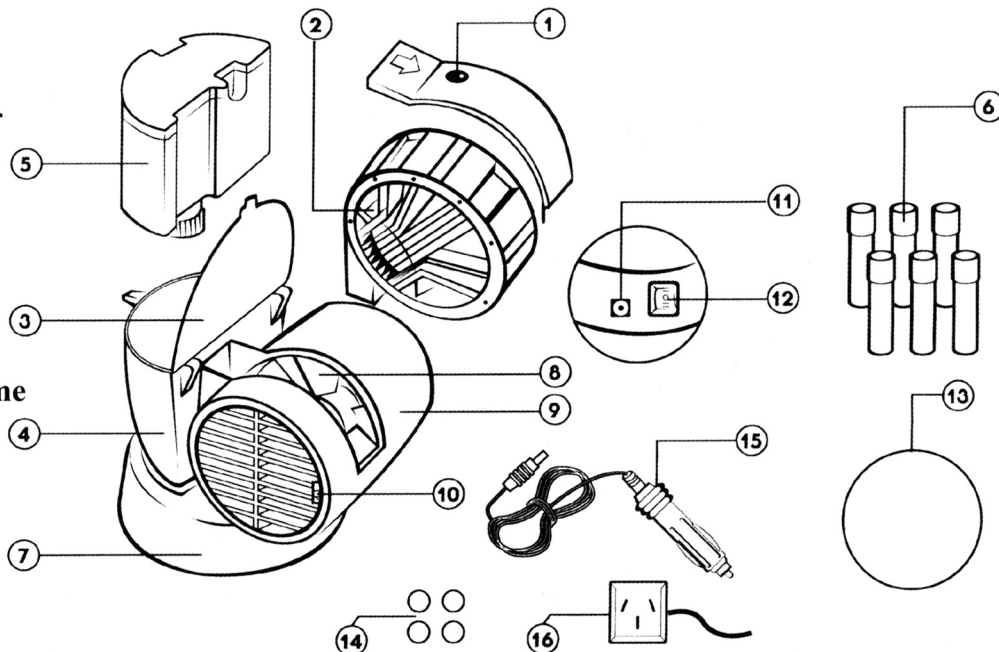


PORTABLE EVAPORATIVE AIR COOLER WITH 2 SPEED FAN

Part No.
LA535E

1. Fan body cover
2. Water absorber
3. Water tank compartment cover
4. Water Tank compartment
5. Water tank
6. Ice pack cylinders
7. Stand with magnetic base
8. Fan blade
9. Fan body
10. Wind directional lever
11. AC/DC jack for car cord or home adaptor
12. 2 speed on-off switch
13. Hook & loop pad
14. Small rubber protectors
15. 12 volt DC car power cord
16. 240v adaptor



Operation:

The unit is made to be used in your car with 12v DC car power cord, or at home with 240v AC adaptor.

Please read carefully the following instructions before operating unit.

Installation:

There are several options:

1. You can simply place it on desks and furniture, small rubber protectors will prevent scratching.
2. Unit has a magnetic base, so it will stick to any metal surface.
3. There is a hook and loop adhesive pad provided for mounting on vinyl surfaces, or in situations where movement may cause unit to move around, such as dashboards.

Functioning:

1. Open the cover of water tank compartment.
2. Take out the water tank, open the fastener cap and fill it with cold water.
3. Place it back in the water tank compartment and wait for 15 minutes so that water can penetrate all the fibres of the absorber. Slide the switch mode to SLOW for normal and FAST mode for strong breeze.
4. If you want to have a better cooling effect, you may fill ice pack cylinders with water and freeze in fridge before placing in water tank.

Maintenance:

1. Pull out the water absorber from the unit when needed.
2. It is advised to clean the water absorber once a week. Use water with soap or detergent and rub it gently. After cleaning, you can place it back into the unit, no need to wait for it to dry.

Recommendations:

Remember to store item in a dry place and away from water.

Specifications:

Water tank capacity	450cc
Tank lasting time	8 hours
Dimensions	19.5 x 15.5 x 14.5 cm
Power consumption:	High: 5.4 watt / Low 4.3 watt
Amperage:	500 mA
Length of cord:	2.5 metres
Operation:	12 volt / 240 volt